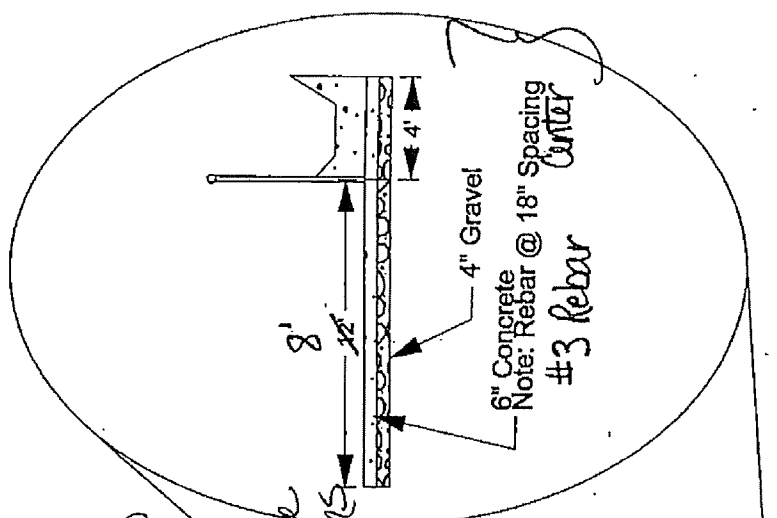


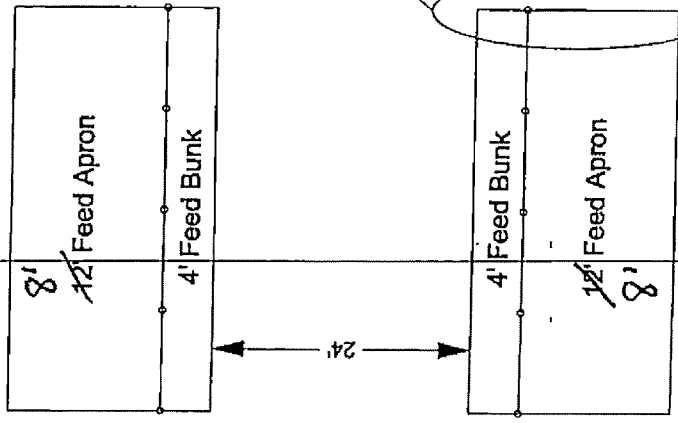
6" Concrete
Note: Rebar @ 18" Spacing

4" Gravel



still the requirements for the 8 ft. apron.

Again these changes are for financial assistance maximums



FBIP Max. financial assistance is 8' x 12' in aprons.



4/20/2010
WJS